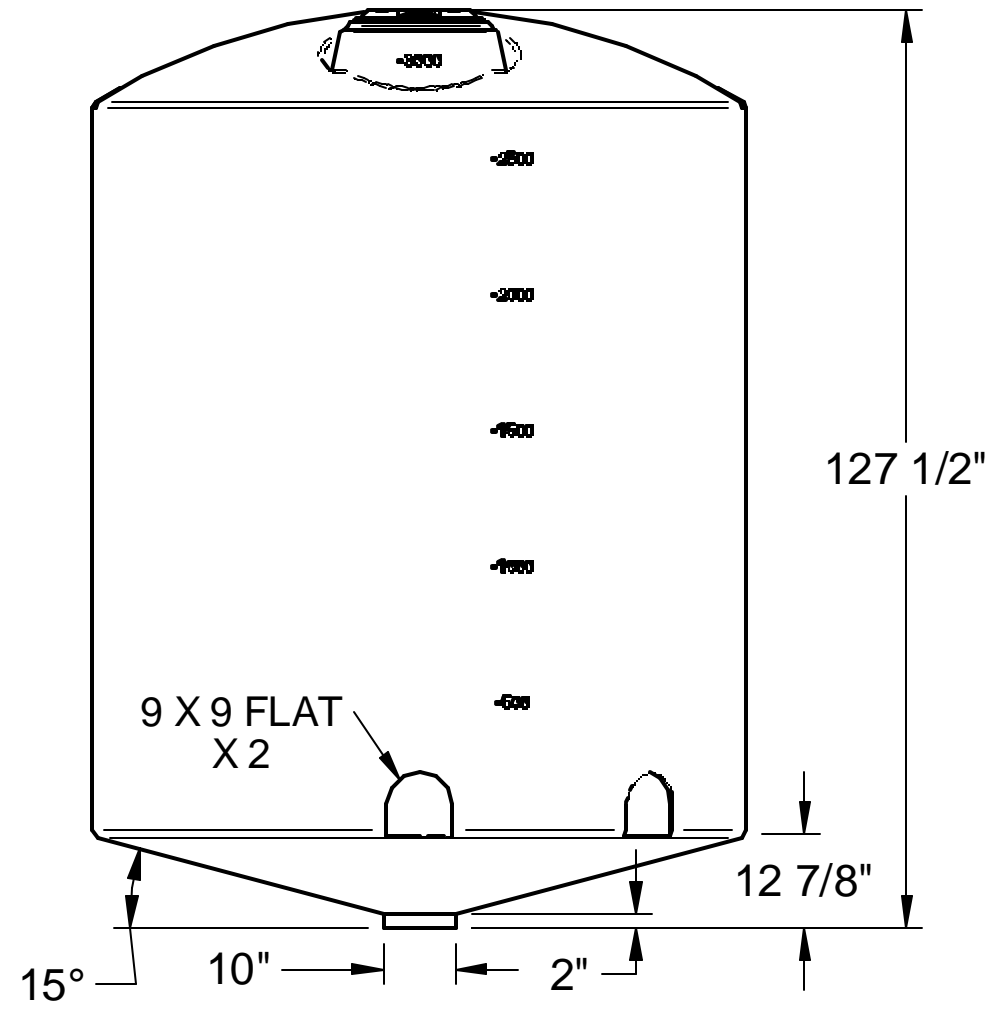
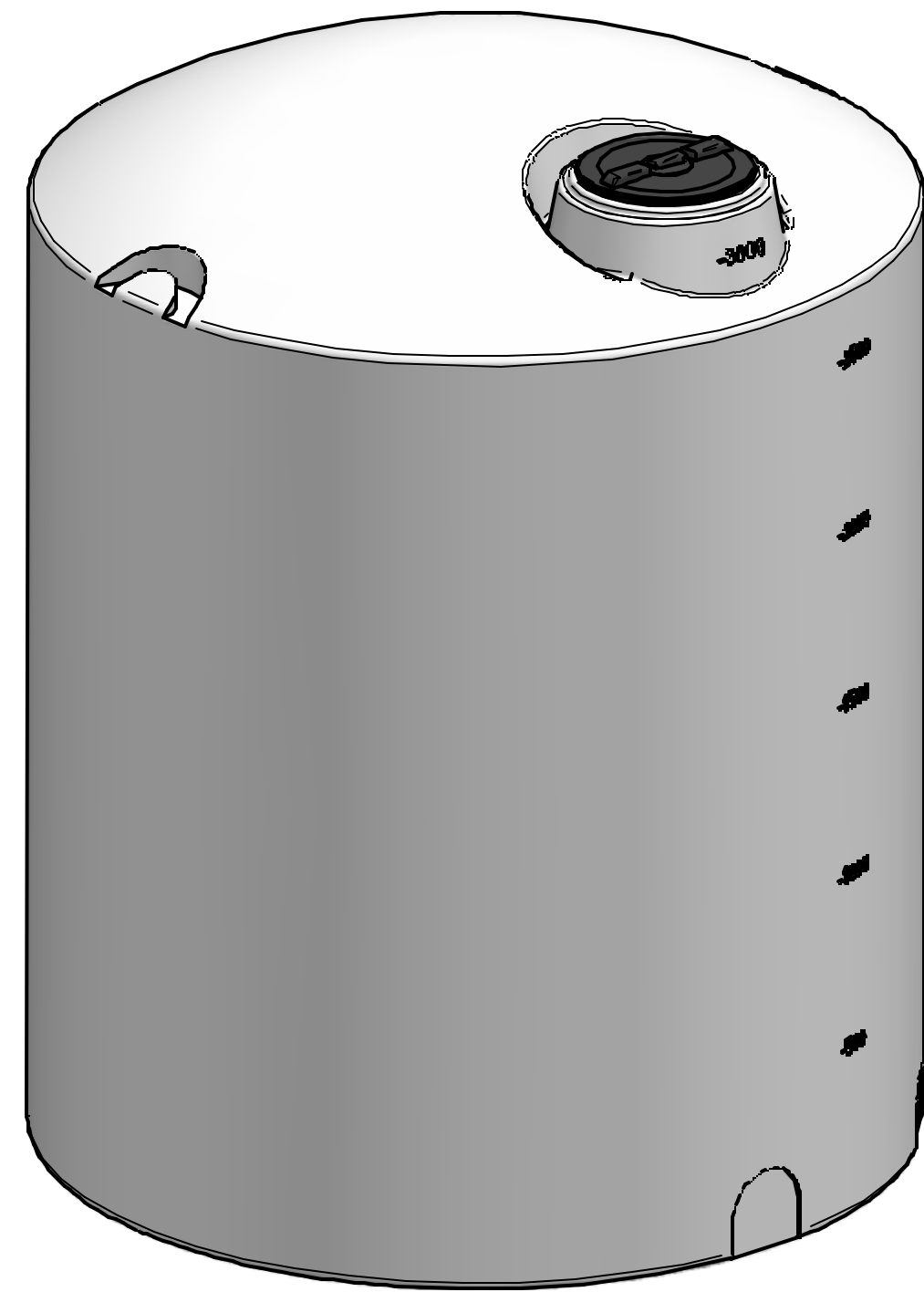
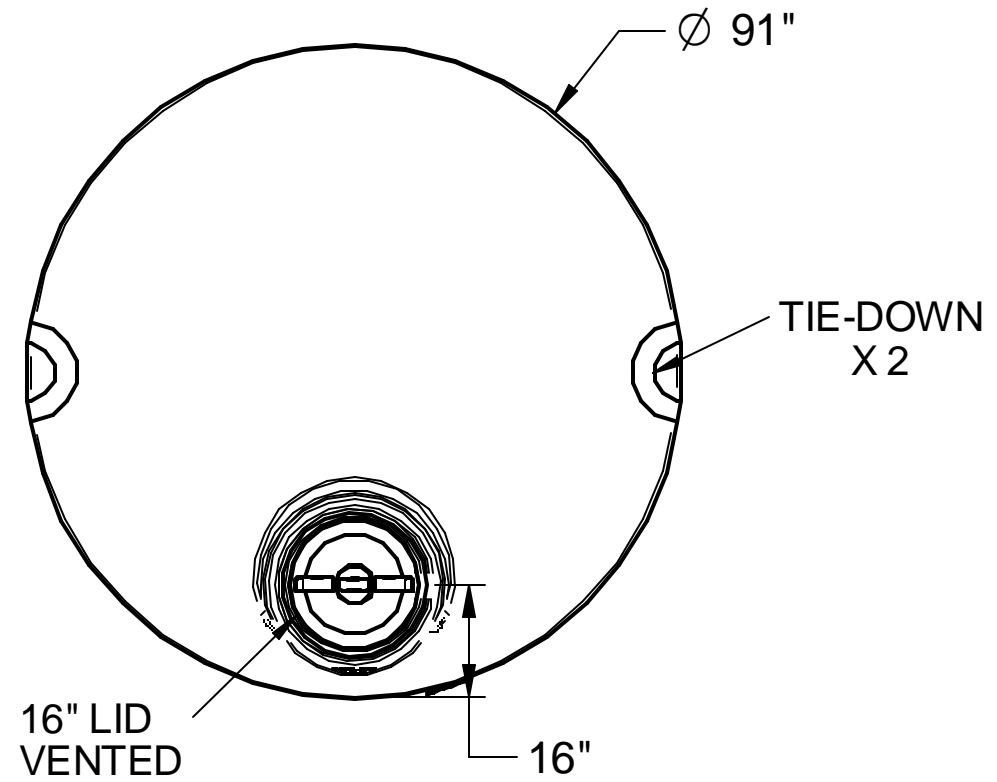



NOTES:



		
CHEMICAL CONTAINERS, INC. LAKE WALES, FLORIDA, 33859 TEL: 863-638-1407 FAX: 863-638-1863		
TITLE <b>3000 GAL CONE BOTTOM TANK</b>		
SIZE <b>B</b>	DWG NO <b>T2087A</b>	REV <b>00</b>
COMPONENT DRAWING		
SCALE: N.A.	LAYOUT SHEET	<b>SHEET 1 / 1</b>