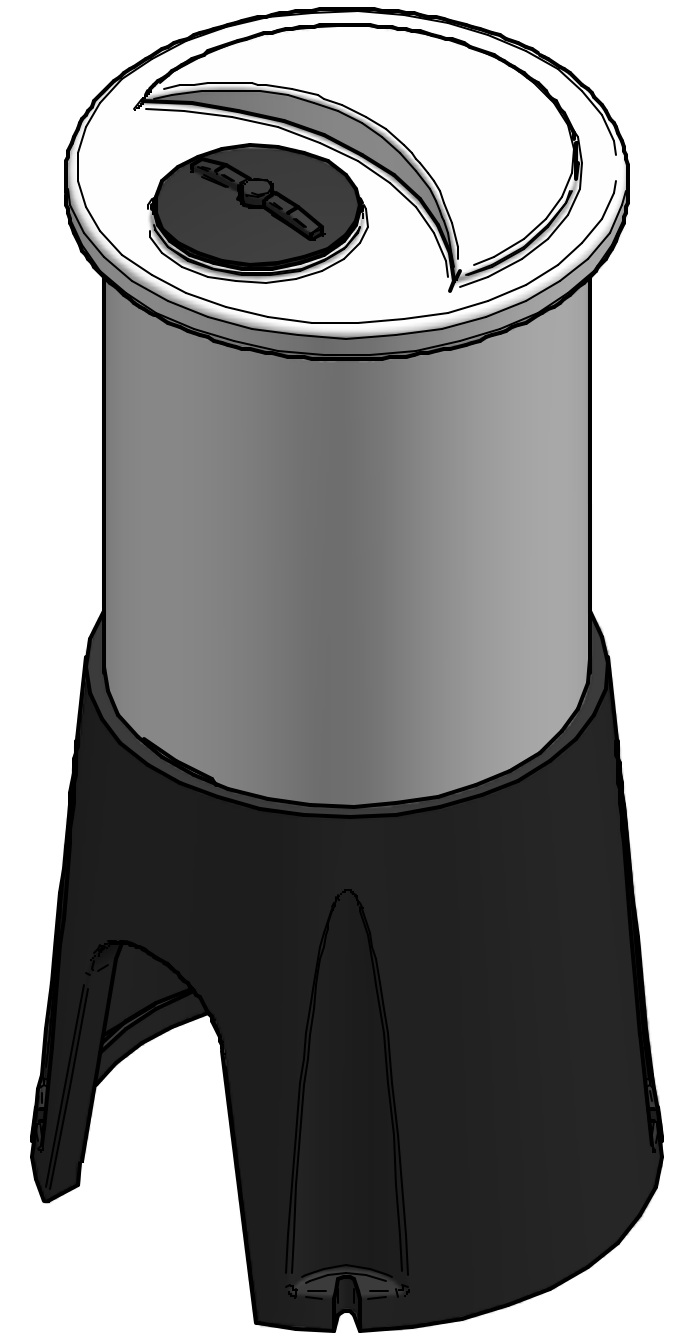
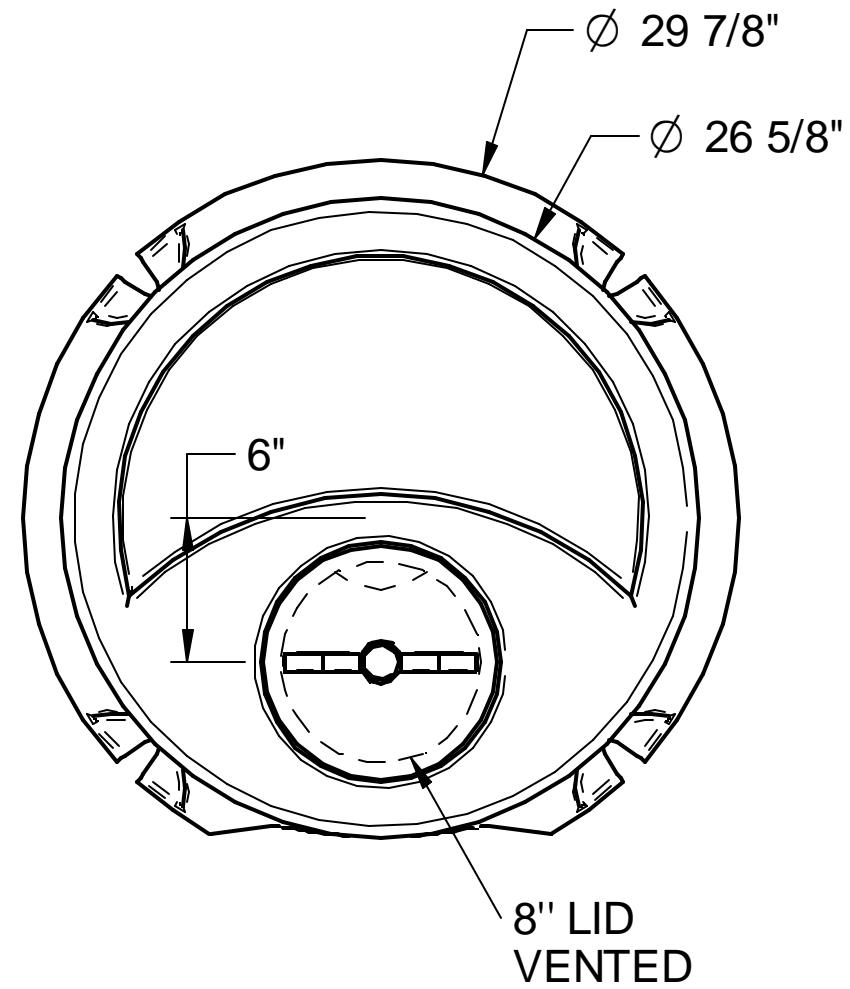
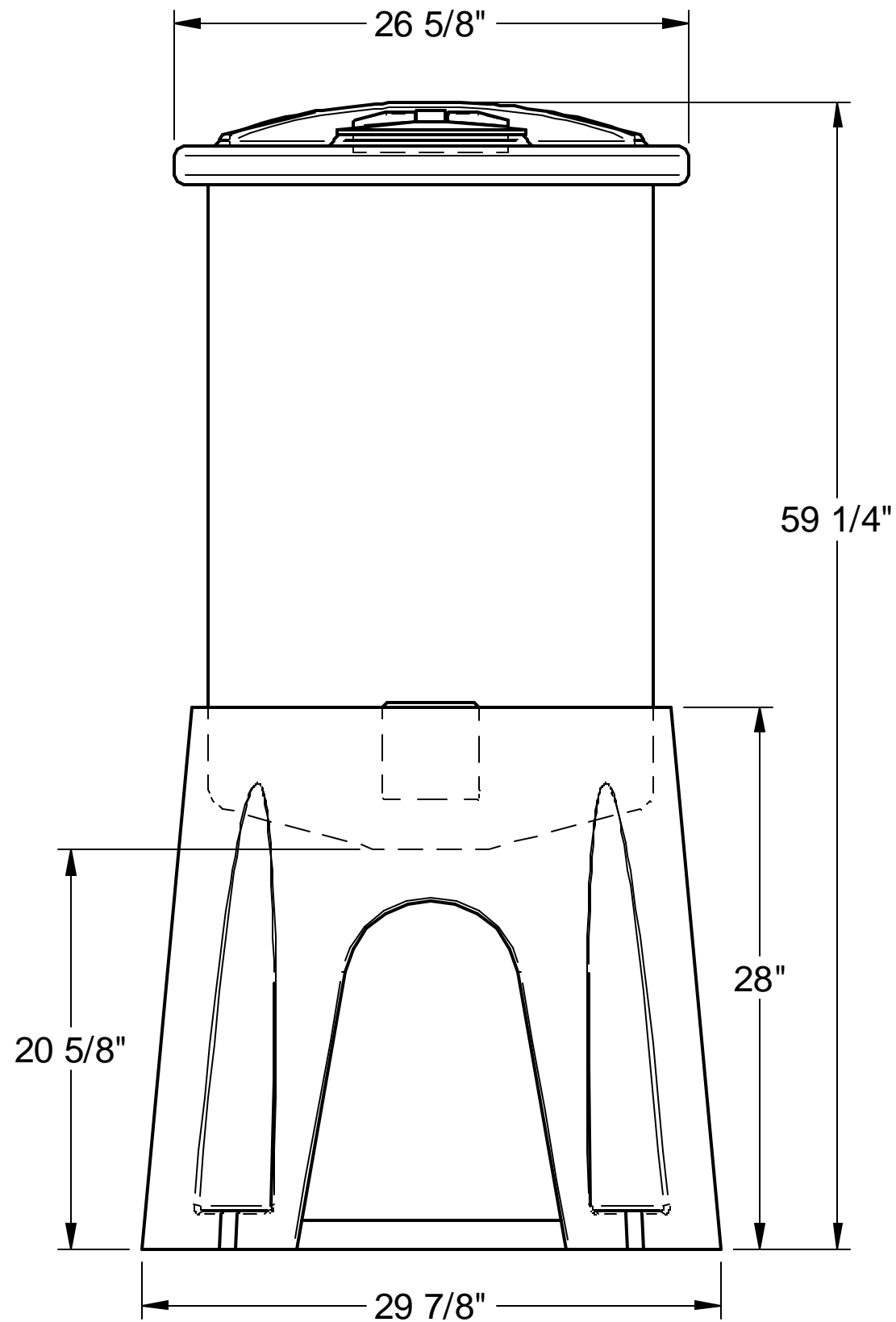



NOTES:



		
CHEMICAL CONTAINERS, INC. LAKE WALES, FLORIDA, 33859 TEL: 863-638-1407 FAX: 863-638-1863		
TITLE 55 GAL CB TANK/POLY STAND		
SIZE B	DWG NO T2010A*	REV 00
COMPONENT DRAWING		
SCALE: N.A.	LAYOUT SHEET	SHEET 1 / 1