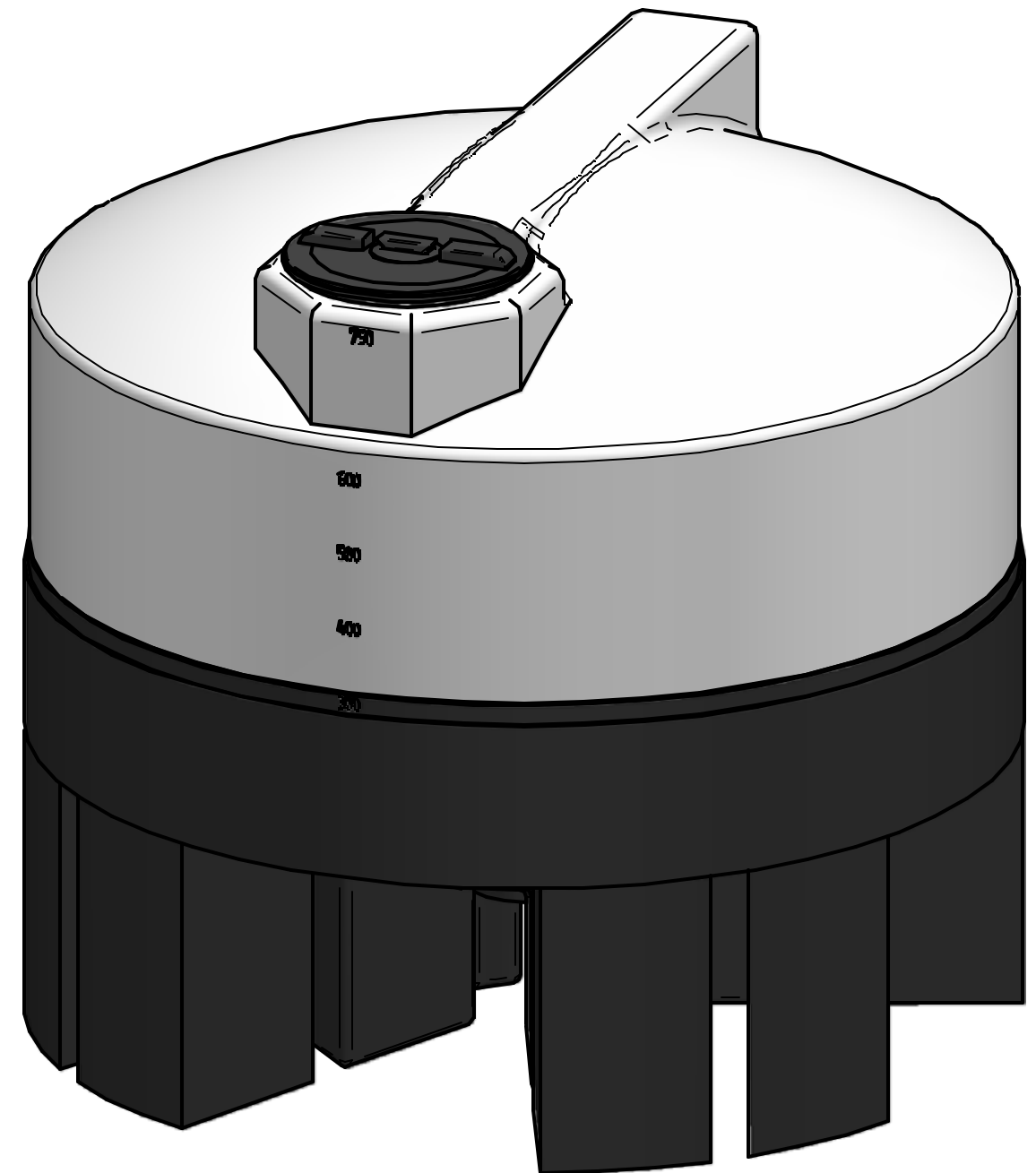
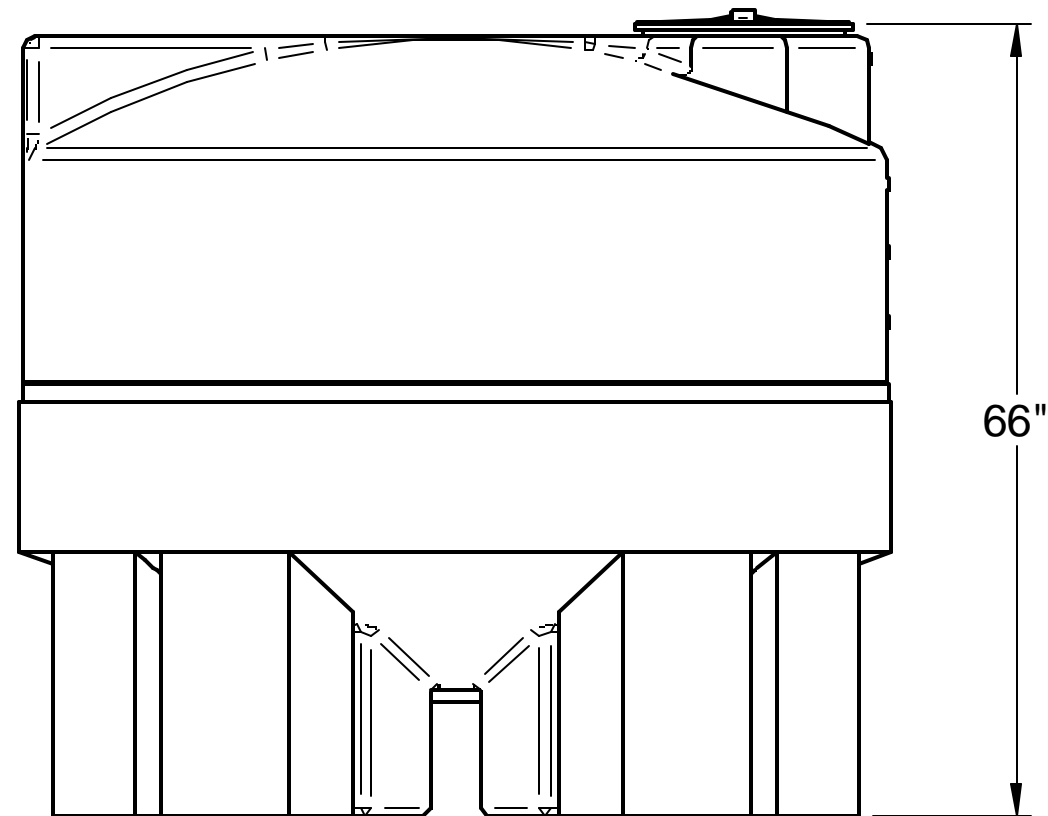
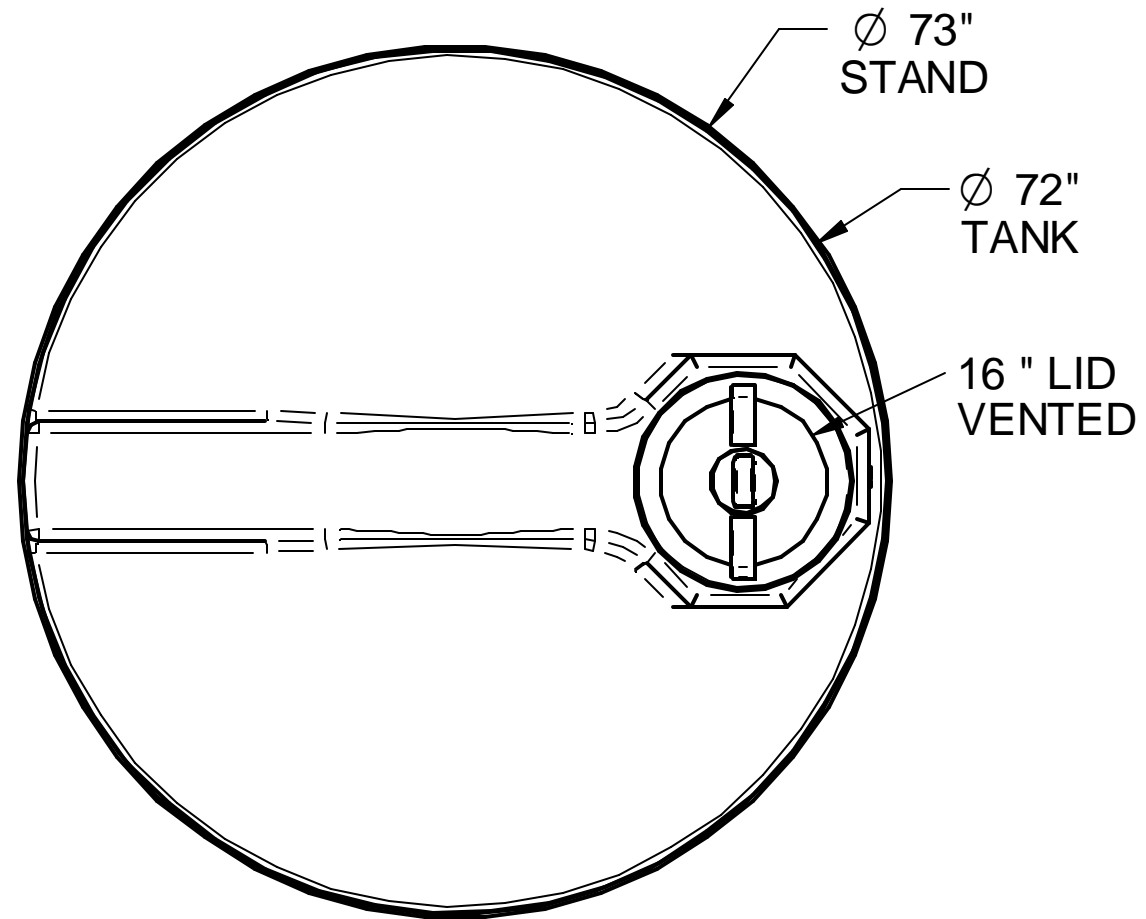


NOTES:



CHEMICAL CONTAINERS, INC.
LAKE WALES, FLORIDA, 33859
TEL: 863-638-1407
FAX: 863-638-1863

TITLE
750 GALLON CB TANK & BASE

SIZE B	DWG NO T2062N*	REV 00
------------------	--------------------------	------------------

COMPONENT DRAWING

SCALE: N.A.	LAYOUT SHEET	SHEET 1 / 1
-------------	--------------	--------------------