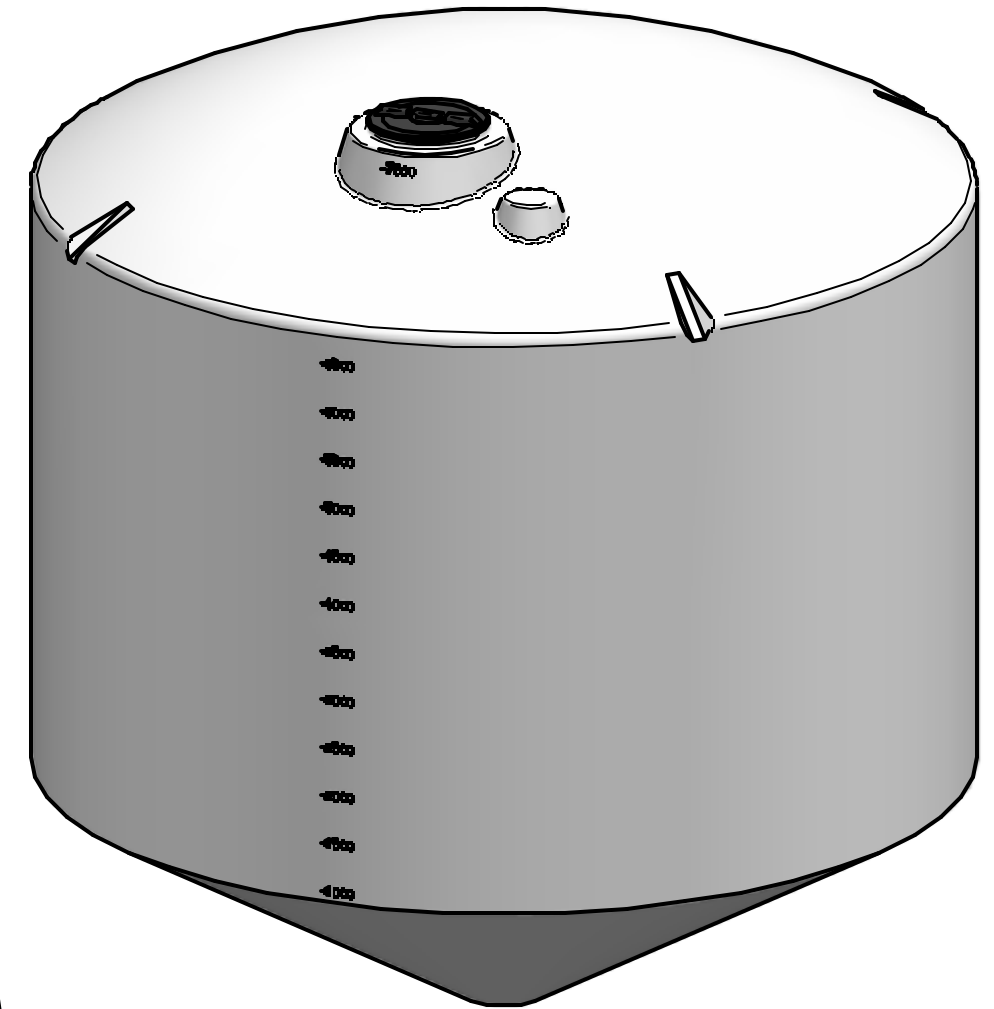
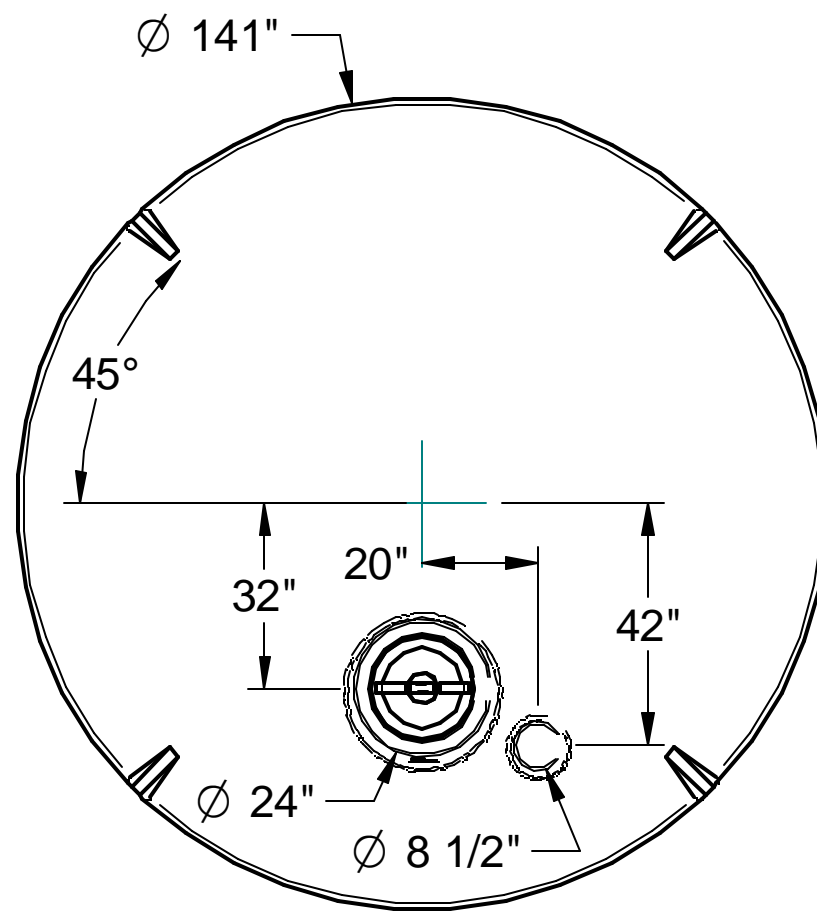
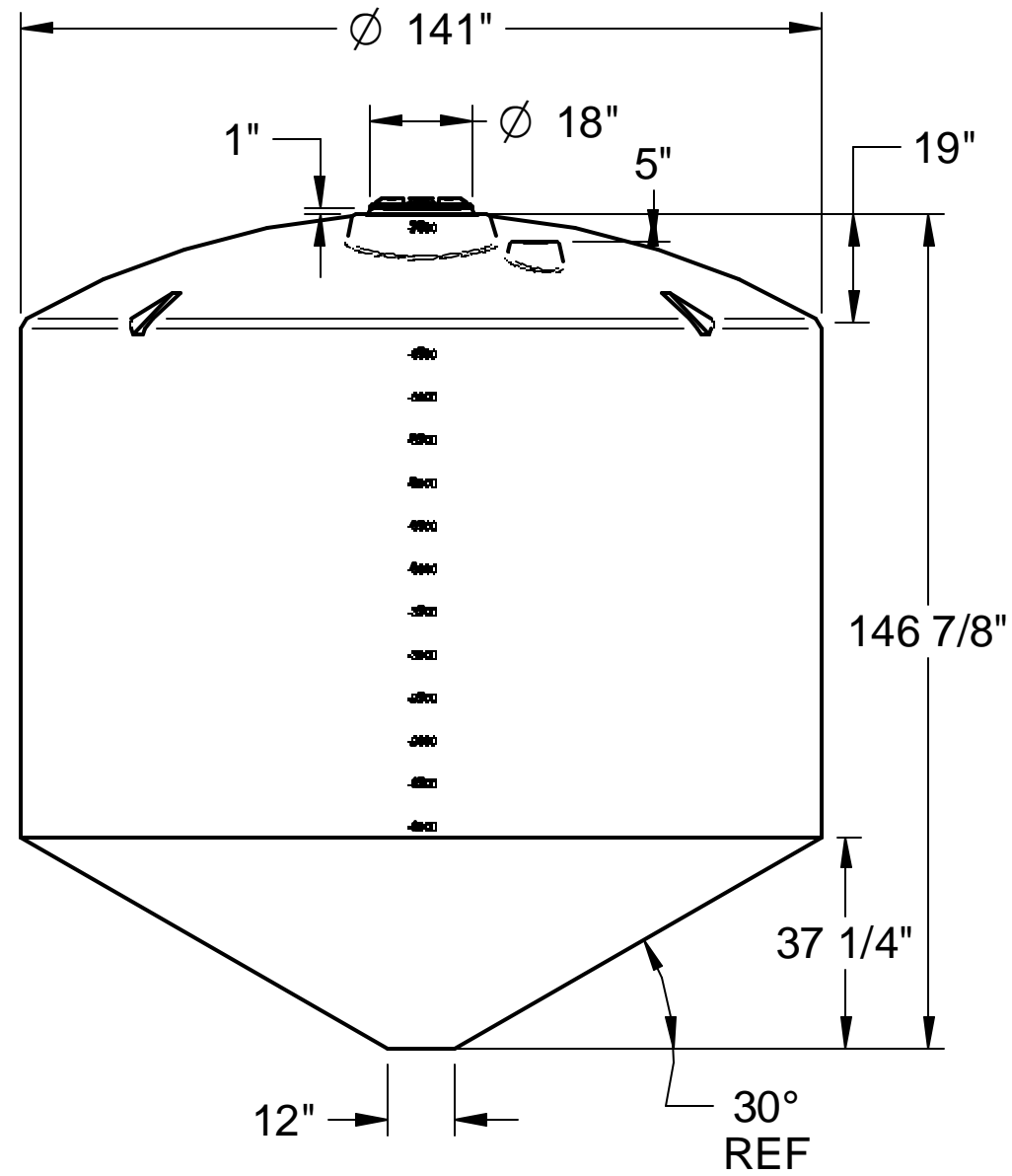



NOTES:



		
CHEMICAL CONTAINERS, INC. LAKE WALES, FLORIDA, 33859 TEL: 863-638-1407 FAX: 863-638-1863		
TITLE		
<b>7500 GAL CONE BOTTOM TANK</b>		
SIZE	DWG NO	REV
<b>B</b>	<b>T2094N</b>	00
COMPONENT DRAWING		
SCALE: N.A.	LAYOUT SHEET	<b>SHEET 1 / 1</b>