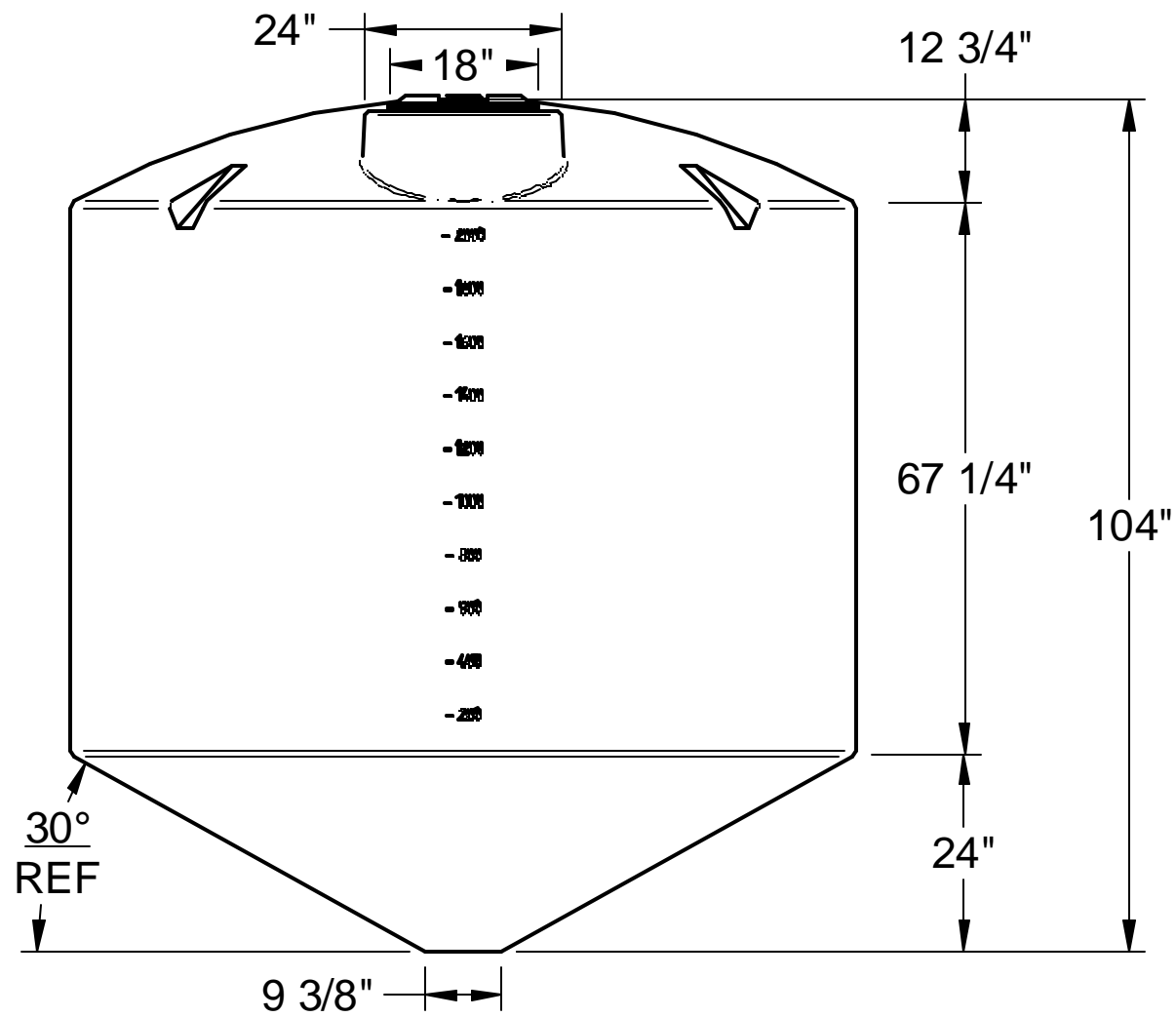
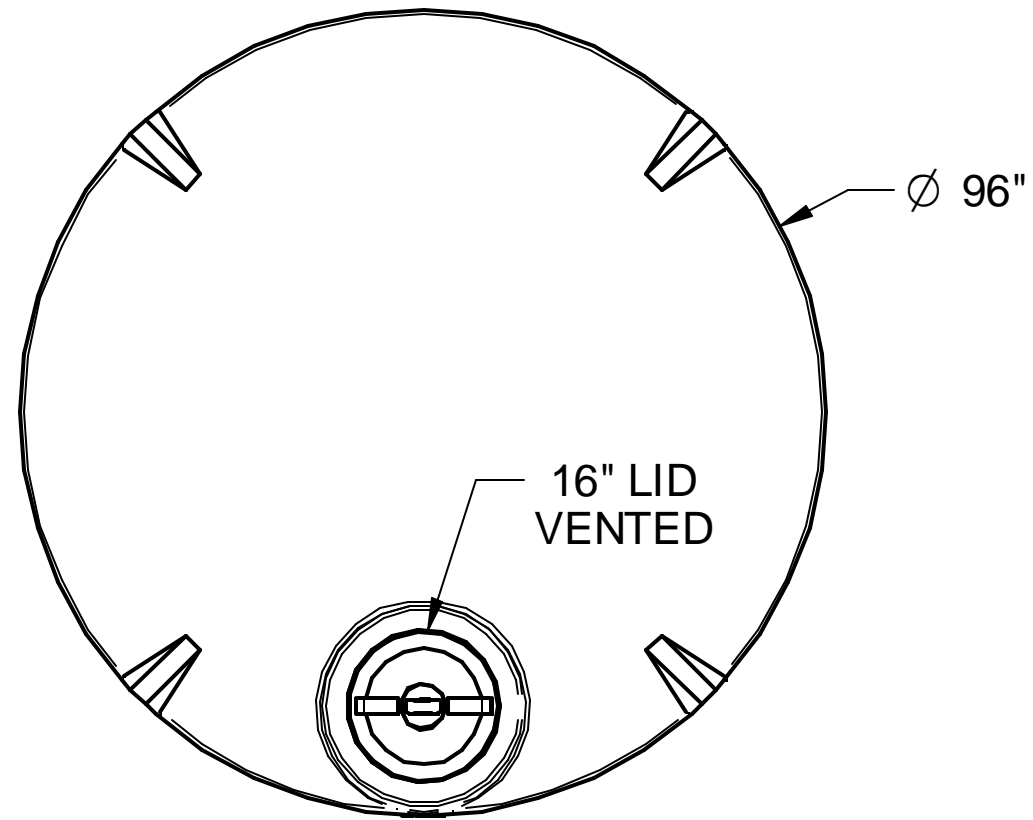


NOTES:



CHEMICAL CONTAINERS, INC.
LAKE WALES, FLORIDA, 33859
TEL: 863-638-1407
FAX: 863-638-1863

TITLE
2500 GAL CONE BOTTOM TANK

SIZE B	DWG NO T2080N	REV 00
------------------	-------------------------	-----------

COMPONENT DRAWING

SCALE: N.A. LAYOUT SHEET **SHEET 1 / 1**